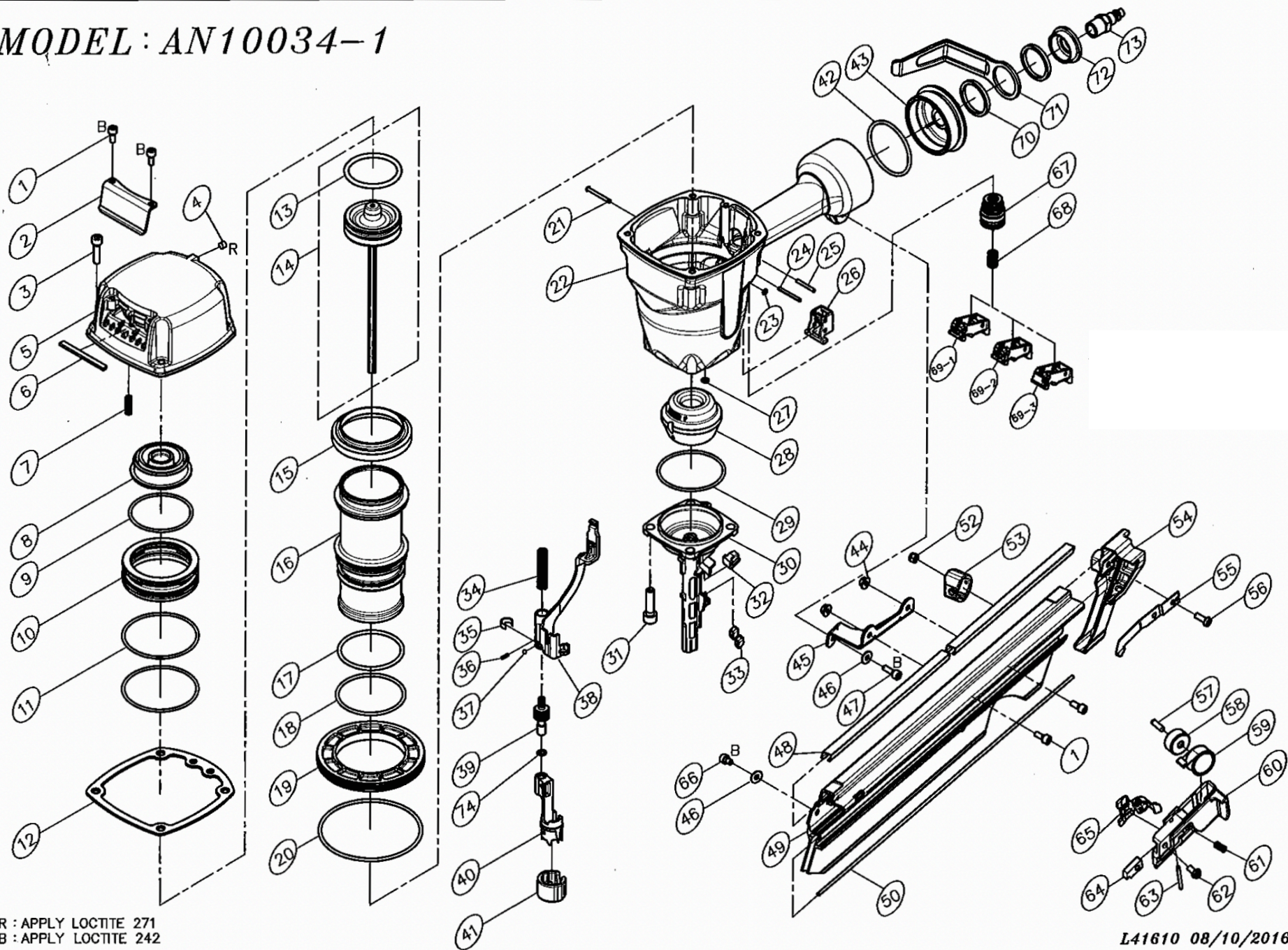


# MODEL: AN10034-1



\*R : APPLY LOCTITE 271  
 \*B : APPLY LOCTITE 242

**PARTS LIST (AN10034-1)**

ITEM	PART NO	DESCRIPTION	QTY		ITEM	PART NO	DESCRIPTION	QTY
01	HS05080B-12	HEX.SOC.HD.BOLT	4		35	39701101	POSITIONING PLATE	1
02	41604301	EXHAUST COVER	1		36	RP2510S	ROLLED PIN	1
03	HS06100B-25	HEX.SOC.HD.BOLT	4		37	SB0350B	SET BALL	1
04	SS06100B-06	SET SCREW	1		38	41606601	UPPER SAFETY LEVER	1
05	41600501	CAP	1		39	28300301	SAFETY ADJUSTING N	1
06	41604401	MUFFLER	1		40	41601301	SAFETY LEVER	1
07	41601501	COMPRESSION SPRING	9		41	41602501	ROLLER	1
08	41600601	PISTON STOPPER	1		42	OR54431N	O RING**	1
09	OR60026N	O RING**	1		43	23302504	END CAP	1
10	41600701	PISTON HEAD VALVE	1		44	LN0500NB	LOCK NUT	2
11	OR72726N	O RING**	2		45	41604601	BRACKET	1
12	41607401A	CYLINDER CAP SEAL	1		46	FW050130B-08	FLAT WASHER	2
13	OR48845N	O RING**	1		47	HS05080B-16	HEX.SOC.HD.BOLT	1
14	41602301A	DRIVER ASSEMBLY**	1		48	41602001	SLIDE PLATE	2
15	41602101	CYLINDER SEAL	1		49	41600801	MAGAZINE	1
16	41600302	CYLINDER	1		50	41602402	LINER	2
17	OR64431N	O RING**	1		52	LN0500N	LOCK NUT	1
18	OR59935N	O RING**	1		53	41602502	ROLLER	1
19	41603001	CYLINDER RING	1		54	41601201	MAGAZINE CAP	1
20	OR99431N	O RING**	1		55	41601602	PLATE	1
21	11103201	STEPPED PIN	3		56	US05080B-14	UM.HD.BOLT	1
22	41600101	BODY	1		57	BP050016P	BALL PIN	1
23	OR01919N	O RING**	3		58	41604201	ROLLER	1
24	RP3030S	ROLLED PIN	1		59	41604001	SPRING	1
25	RP3025S	ROLLED PIN	1		60	41601101	PUSHER GUIDE	1
26	41606501	GUIDE SAFETY LEVER	1		61	27203701	SPRING	1
27	OR04515N	O RING**	1		62	US05080B-12	UM.HD.BOLT	1
28	41600401	BUMPER	1		63	RP3028S	ROLLED PIN	1
29	OR63226N	O RING**	1		64	41602601	SAFETY BLOCKER	1
30	41600201	NOSE	1		65	47300801	PUSHER	1
31	HS08125BN1-30	HEX.SOC.HD.BOLT	4		66	HS05080B-08	HEX.SOC.HD.BOLT	1
32	41604701	PLASTIC LABEL	1		67	41607301A	TRIGGER VALVE ASSE	1
33	41603801	SHOCK ABSORBER PAD	2		68	32802501	SPRING	1
34	16103601	SPRING	1		69-1	41607101A	TRIGGER ASSEMBLY	1