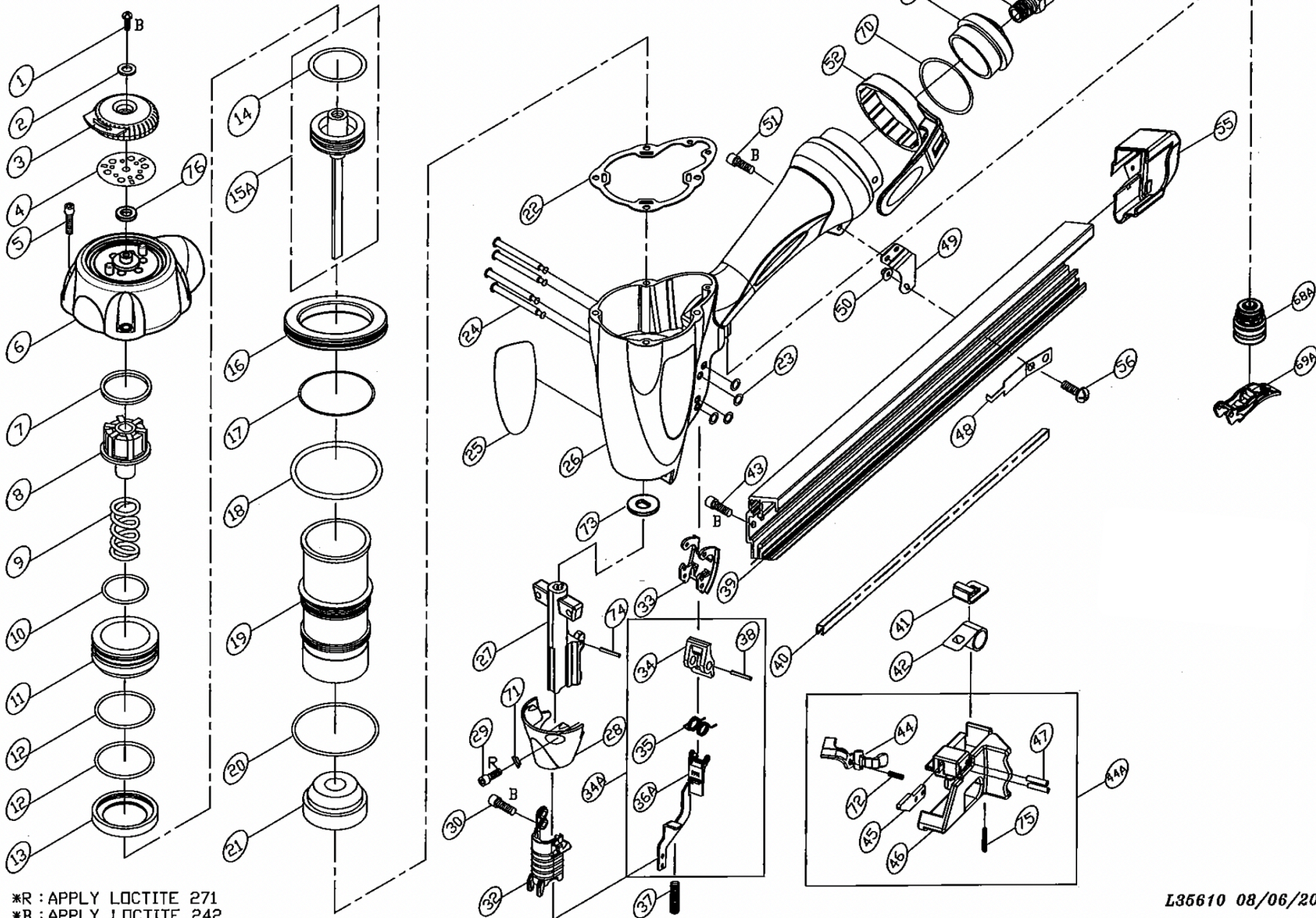


# MODEL:AMC-38



*PARTS LIST (AMC-38)*

ITEM	PART NO	DESCRIPTION	QTY		ITEM	PART NO	DESCRIPTION	QTY
01	US05080B-16	UM.HD.BOLT	1		35	35602201	TOR. SPRING	1
02	FW050130B-10	FLAT WASHER	1		36A	35601501A	UPPER SAFETY ASSEM	1
03	15100201	EXHAUST COVER	1		37	32802601	SPRING	1
04	15100301	SPRING PLATE	1		38	RP3020S	ROLLED PIN	1
05	HS05080LW-25	HEX.SOC.HD.BOLT+SW	4		39	35602101	MAGAZINE	1
06	35600201	CAP	1		40	35601901	NAIL GUIDE LINER	1
07	13600801	SPACER	1		41	35601701	BOARD FOR HOOKING	1
08	13600901	PISTON STOPPER**	1		42	35603701	SPRING	1
09	13601001	SPRING**	1		43	HS05080BW-08	HEX.SOC.HD.BOLT+SW	2
10	OR33720N	O RING**	1		44	35600601	PUSHER	1
11	13601201	PISTON HEAD VALVE	1		44A	35601001A	PUSHER ASSEMBLY	1
12	OR45520N	O RING**	2		45	35601801	PUSHER RETAINER	1
13	13601401	SEAL	1		46	35601001	FEED PAWL	1
14	OR33735N	O RING**	1		47	RP2016S	ROLLED PIN	2
15A	35603201A	PISTON ASSEMBLY**	1		48	15508601	STOPPER	1
16	13601801	CYLINDER SPACER	1		49	35601601	BRACKET	1
17	OR53726N	O RING**	1		50	LN0500NB	LOCK NUT	2
18	OR43026N	O RING**	2		51	HS05080B-14	HEX.SOC.HD.BOLT	2
19	15502101	CYLINDER	1		52	35601101	BELT HOOK	1
20	OR43735N	O RING**	1		53	35600301	END COVER	1
21	13602201	BUMPER**	1		54	12106410	AIR PLUG, SWIVEL (	1
22	35602701	GASKET	1		55	35600901	TAIL COVER	1
23	OR01919N	O RING**	4		56	US05080B-14	UM.HD.BOLT	2
24	16102902	STEPPED PIN	4		68A	15104401A	SWITCH ASSEMBLY	1
25	35601403	PLASTIC LABEL	2		69A	35600701A	TRIGGER ASSEMBLY	1
26	35600102	BODY	1		70	OR52030N	O RING**	1
27	35600401	NOSE	1		71	35602001	MAGAZINE BLOCK	2
28	35601201	GUARD	1		72	35603001	SPRING	1
29	HS05080B-25	HEX.SOC.HD.BOLT**	2		73	35603502	WASHER	1
30	HS04070BW-06	HEX.SOC.HD.BOLT+SW	2		74	RP3012S	ROLLED PIN	1
32	35600501	SAFETY	1		75	RP2020S	ROLLED PIN	1
33	35602801	RUBBER PAD	1		76	15108501	PU RING	1
34	35602501	SAFETY LEVER	1					
34A	35602501A	SAFETY LEVER ASSEM	1					