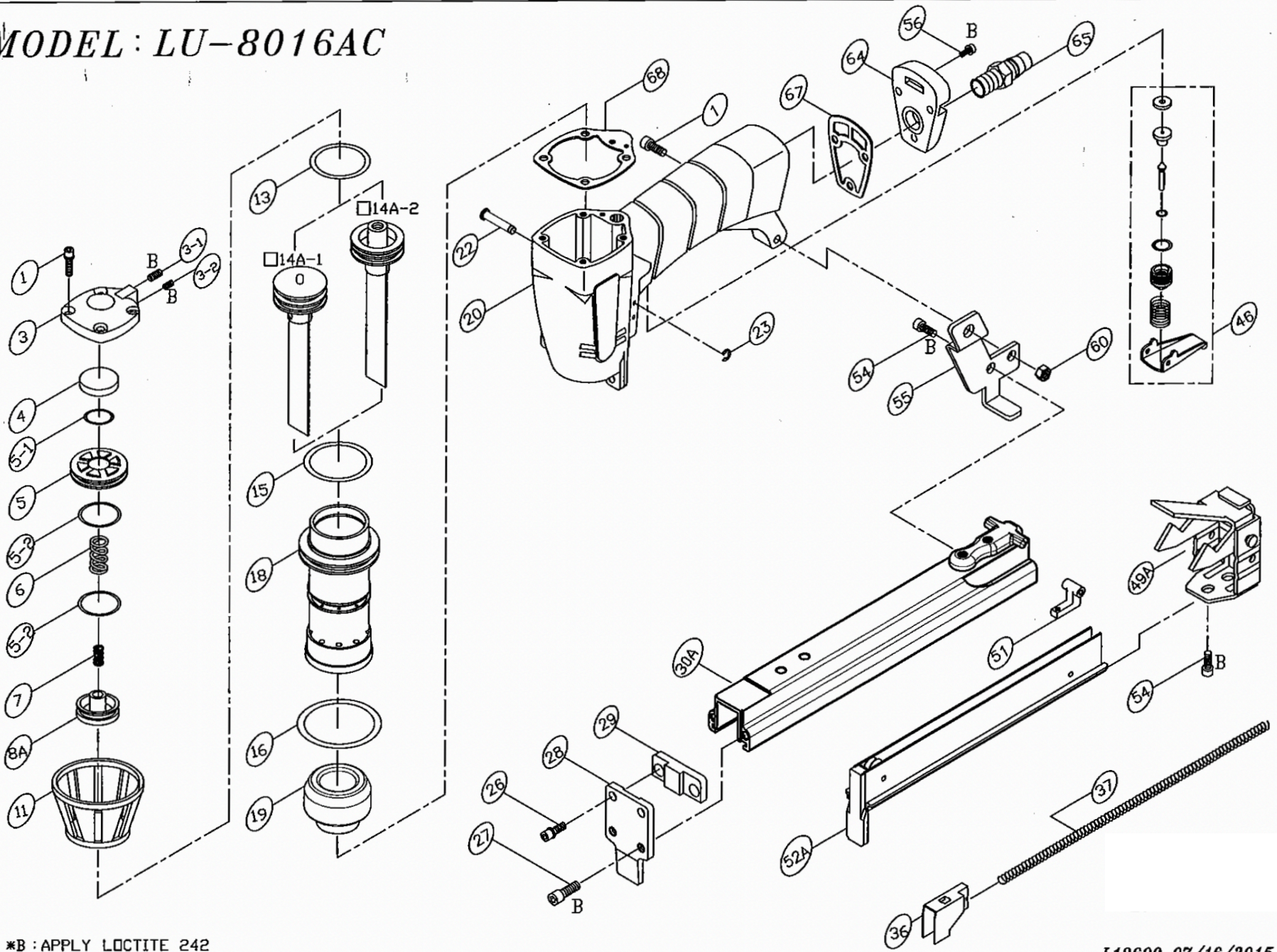


MODEL: LU-8016AC



*B : APPLY LOCTITE 242

L19600 07/16/2015

PARTS LIST (LU-8016AC)

| ITEM | PART NO | DESCRIPTION | QTY | | ITEM | PART NO | DESCRIPTION | QTY |
|-------|--------------|-----------------------|-----|--|------|--------------|-----------------------|-----|
| 01 | HS05080BW-16 | HEX. SOC. HD. BOLT+SW | 5 | | 55 | 10405601 | BRACKET | 1 |
| 03 | 16800301 | CAP | 1 | | 56 | HS04070BW-16 | HEX. SOC. HD. BOLT+SW | 3 |
| 03-1 | SS06100B-04 | SET SCREW | 1 | | 60 | LN0500N | LOCK NUT | 1 |
| 03-2 | SS04070B-04 | SET SCREW | 1 | | 64 | 16806401 | END CAP | 1 |
| 04 | 10200501 | SEAL | 1 | | 65 | 12106401 | AIR PLUG | 1 |
| 05 | 16801301 | PISTON STOPPER | 1 | | 67 | 16806702 | GASKET | 1 |
| 05-1 | OR11824N | O RING** | 1 | | 68 | 16806802 | GASKET** | 1 |
| 05-2 | OR27025N | O RING** | 2 | | | | | |
| 06 | 16800501 | SPRING** | 1 | | | | | |
| 07 | 10200401 | SPRING** | 1 | | | | | |
| 08A | 10200801A | HEAD VALVE ASM. | 1 | | | | | |
| 11 | 10201201 | COLLAR | 1 | | | | | |
| 13 | OR17730N | O RING** | 1 | | | | | |
| 14A-1 | 19100801A | DRIVER ASSEMBLY** | 1 | | | | | |
| 14A-2 | 19100803A | DRIVER ASSEMBLY** | 1 | | | | | |
| 15 | OR31824N | O RING** | 1 | | | | | |
| 16 | OR25020N | O RING | 1 | | | | | |
| 18 | 16801801 | CYLINDER | 1 | | | | | |
| 19 | 16801901 | BUMPER | 1 | | | | | |
| 20 | 19602002 | BODY | 1 | | | | | |
| 22 | 10202201 | STEPPED PIN | 1 | | | | | |
| 23 | ER0250R | E RING | 1 | | | | | |
| 26 | HS05080BW-18 | HEX. SOC. HD. BOLT+SW | 2 | | | | | |
| 27 | HS04070B-12 | HEX. SOC. HD. BOLT | 2 | | | | | |
| 28 | 19103601 | NOSE | 1 | | | | | |
| 29 | 10703801 | SET PLATE | 1 | | | | | |
| 30A | 10206401A | MAGAZINE | 1 | | | | | |
| 36 | 19104501 | PUSHER | 1 | | | | | |
| 37 | 10404301 | SPRING | 1 | | | | | |
| 46 | 10203001A | TRIGGER VALVE ASSE | 1 | | | | | |
| 49A | 10405201A | END CORE ASM. | 1 | | | | | |
| 51 | 19004801 | SET PLATE | 1 | | | | | |
| 52A | 19604001A | STAPLE GUIDE UNIT | 1 | | | | | |
| 54 | HS04070B-08 | HEX. SOC. HD. BOLT | 4 | | | | | |