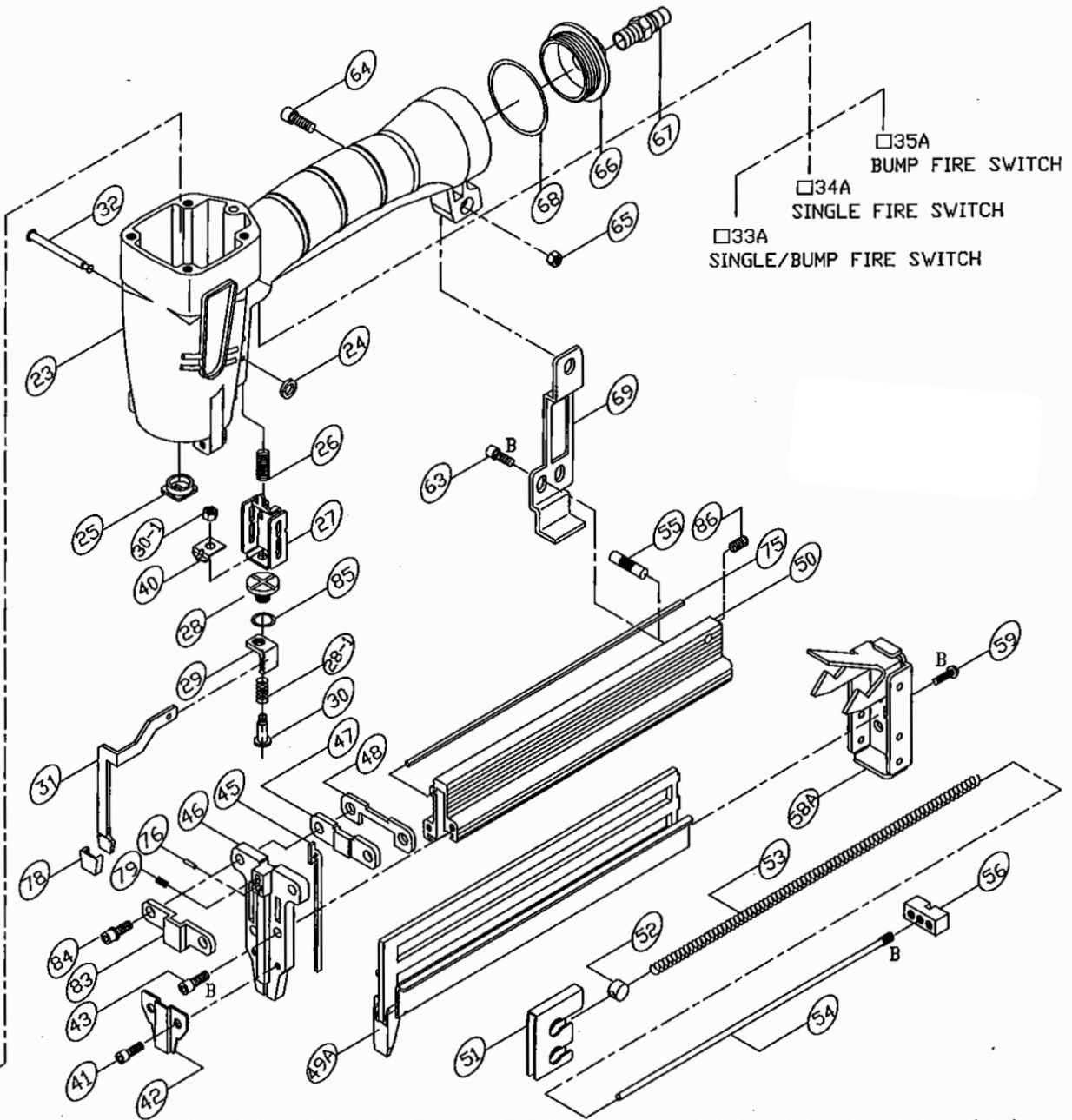
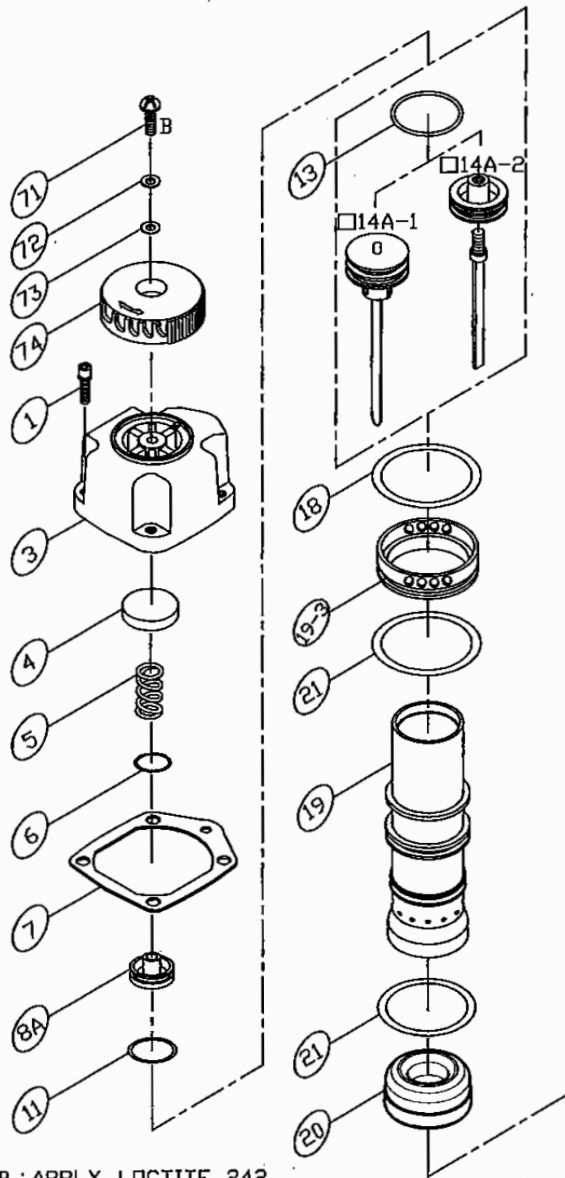


MODEL: BS-1850A



*B : APPLY LOCTITE 242

L17921 09/30/2015

PARTS LIST (BS-1850A)

ITEM	PART NO	DESCRIPTION	QTY	ITEM	PART NO	DESCRIPTION	QTY
01	HS05080BW-20	HEX. SOC. HD. BOLT+SW	4	47	11304701	SET PLATE	1
03	13900306	CAP	1	48	10904801	SET PLATE	1
04	12100401	SEAL**	1	49A	17904901A	STAPLE GUIDE UNIT	1
05	12100501	SPRING**	1	50	17905001	MAGAZINE	1
06	OR13824N	O RING**	1	51	12505101	PUSHER	1
07	11100702	CAP SEAL**	1	52	11205201	SLIDE BLOCK	2
08A	13900801A	HEAD VALVE ASM.	1	53	11305301	SPRING**	2
11	OR31824N	O RING**	1	54	11305401	ROD	2
13	OR23735N	O RING**	1	55	11305502	SHAFT	1
14A-1	17901403A	DRIVER ASSEMBLY**	1	56	11305601	SET BLOCK	2
14A-2	17901404A	DRIVER ASSEMBLY**	1	58A	17905801A	END CORE ASM.	1
18	OR44431N	O RING**	1	59	US05080B-10	UM. HD. BOLT	4
19	13901902	CYLINDER	1	63	HS04070B-10	HEX. SOC. HD. BOLT	2
19-3	13901903	COLLAR	1	64	HS05080B-16	HEX. SOC. HD. BOLT	1
20	13902001	BUMPER**	1	65	LN0500N	LOCK NUT	1
21	OR35020N	O RING**	2	66	11106601	COVER	1
23	11102309	BODY	1	67	12106401	AIR PLUG	1
24	OR01919N	O RING**	2	68	OR40030N	O RING**	1
25	12102501	JOINT GUIDE	1	69	17906902	BRACKET	1
26	11002601	SPRING	1	71	US05080B-06	UM. HD. BOLT	1
27	11002702	GUIDE SAFETY LEVER	1	72	FW050120B-10	FLAT WASHER	1
28	18103202	SAFETY ADJUSTING N	1	73	12103301	SEAL	1
28-1	18103101	SPRING	1	74	13907403	EXHAUST COVER	1
29	13403001	GUIDE PLATE	1	75	17907501	LINER	1
30	18104601	SET SHAFT	1	76	RP2510S	ROLLED PIN	1
30-1	LN0400N	LOCK NUT	1	78	13403101	RUBBER PAD	1
31	17903103	SAFETY LEVER	1	79	17907901	SPRING	1
32	11103201	STEPPED PIN	2	83	17908301	SET PLATE	1
40	21903501	POSITIONING PLATE	1	84	HS05080BW-22	HEX. SOC. HD. BOLT+SW	2
41	HS04070B-05	HEX. SOC. HD. BOLT	2	85	OR06010M	O RING**	1
42	17904201	NOSE COVER	1	86	SS04070B-08	SET SCREW	1
43	HS04070B-16	HEX. SOC. HD. BOLT	2				
45	17904501	NAIL GUIDE PLATE	1				
46	17904601	NOSE	1				