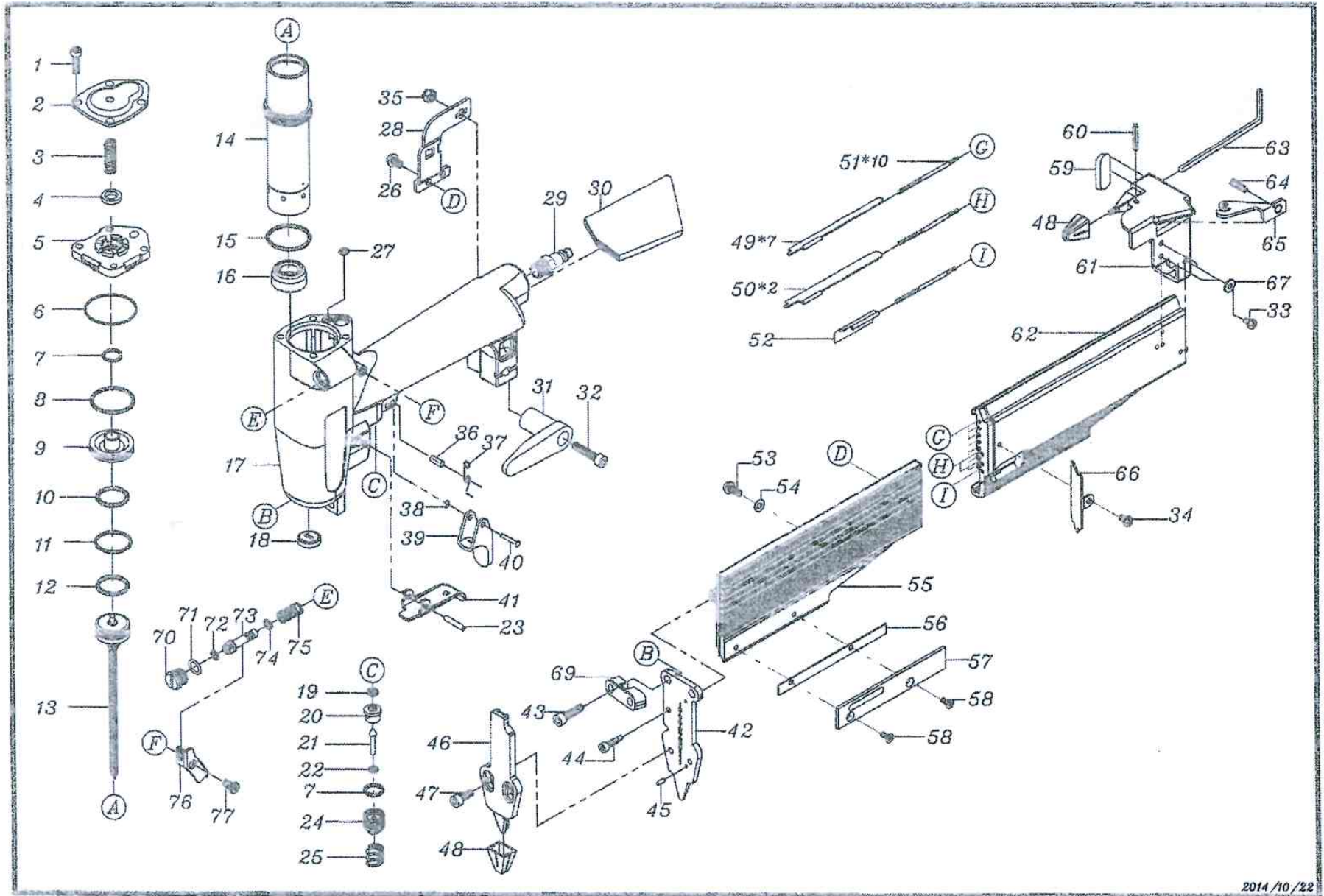


EXPLODED DIAGRAM OF RPT650P



RPT650P PARTS LIST

No	Part No	Description	Q'ty	No	Part No	Description	Q'ty	No	Part No	Description	Q'ty
1	301-5*20N	HEX.SOC.HD.BOLT	4	27	401-3*1.5	O-RING	1	53	305-4*10	HEX.SOC.HD.BOLT	1
2	A1342	CAP	1	28	B284L	SUPPORT	1	54	321-4M	SPRING WASHER	1
3	A2342	COMPRESSION SPRING	1	29	A0419-A	COUPLING PLUG	1	55	B214L	MAGAZINE SEAT	1
4	A1442	VALVE STOP	1	30	340-7	HANDLE GRIP	1	56	B254G	SPACER PLATE	1
5	A124FB	CYLINDER CAP	1	31	A294G	CRADLE	1	57	B234G	RAILING PLATE	1
6	401-1028	O-RING	1	32	301-5*25	SCREW	1	58	303-3*5.5	HEX.SOC.FLAT HEAD SCREW	2
7	401-2012	O-RING	2	33	305-3*6	SCREW	4	59	B764G	RUBBER PLATE	1
8	401-AS118	O-RING	1	34	305-3*6	SCREW	1	60	332-3*10	SPRING PIN	1
9	A214F	HEAD VALVE	1	35	311-5B	NYLON NUT	1	61	B734L	SLIDER CAP	1
10	401-3008	O-RING	1	36	A8442	PIN	1	62	B414L	MAGAZINE	1
11	401-3019	O-RING	1	37	A8242	SAFETY TRIGGER SPRING	1	63	814-3	ALLEN WRENCH	1
12	401-3015	O-RING	1	38	333-2.5	E-RING	1	64	B724G	SPRING	1
13	A514L	DRIVER	1	39	A814G	SAFETY TRIGGER	1	65	B714G	LATCH	1
14	A414L	CYLINDER	1	40	331-3*12	PIN	1	66	B674L	PUSHER STOP	1
15	401-AS119	O-RING	1	41	A714L	TRIGGER	1	67	320-3*8*1	WASHER	3
16	A434I	BUMPER	1	42	B024L	NOSE	1	69	B034E	DRIVER GUIDE B	1
17	A0054	GUN BODY	1	43	301-5*22+S	HEX.SOC.HD.BOLT+SW	2	70	A174J	PLUG	1
18	A0342	DRIVER SEAL	1	44	301-4*14	HEX.SOC.HD.BOLT	1	71	401-8*1.5	O-RING	1
19	401-P9	O-RING	1	45	330-2.1*5	PIN	2	72	401-P3	O-RING	1
20	A6142	TRIGGER VALVE SEAT	1	46	B014L	COVER PLATE	1	73	A184J	SHAFT	1
21	A6342	TRIGGER VALVE STEM	1	47	301-4*6	HEX.SOC.HD.BOLT	2	74	401-2.5*1.5	O-RING	1
22	401-4.2*1.2	O-RING	1	48	A894EA	NOSE PROTECTOR	2	75	A194J	SPRING	1
23	332-3*25	SPRING PIN	1	49	B61491	PUSHER #1(S)	7	76	B7151	LEVER	1
24	A6242	TRIGGER VALVE GUIDE	1	50	B61492	PUSHER #2(L)	2	77	301-4*6F	SCREW	1
25	A7242	TRIGGER SPRING	1	51	B6349	PUSHER SPRING	10				
26	305-4*6	HEX.SOC.HD.BOLT	2	52	B6149	PUSHER	1				