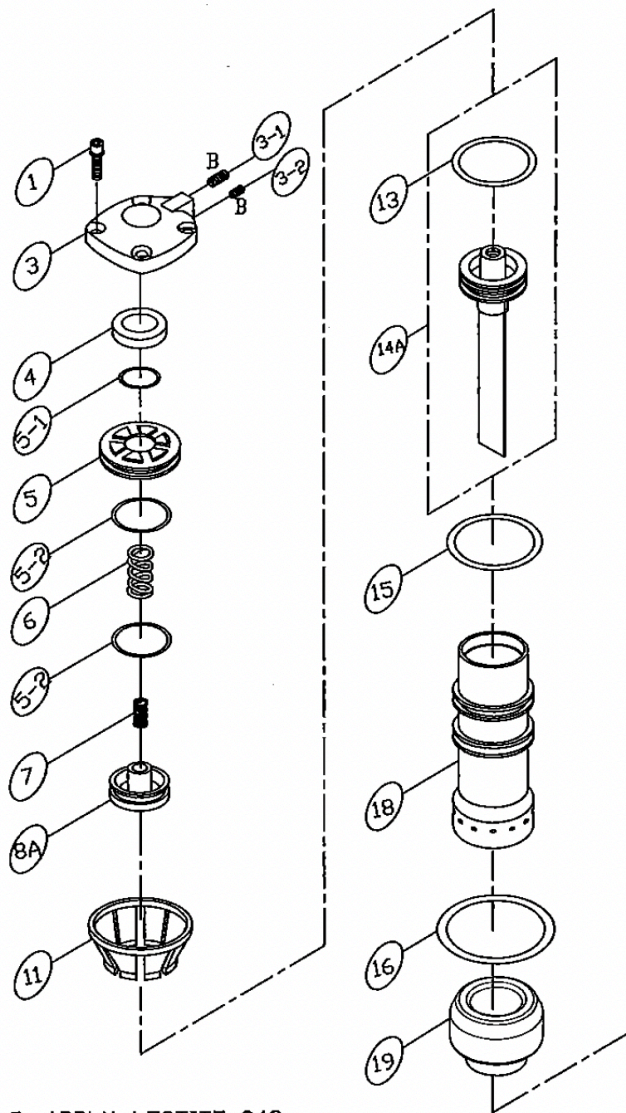
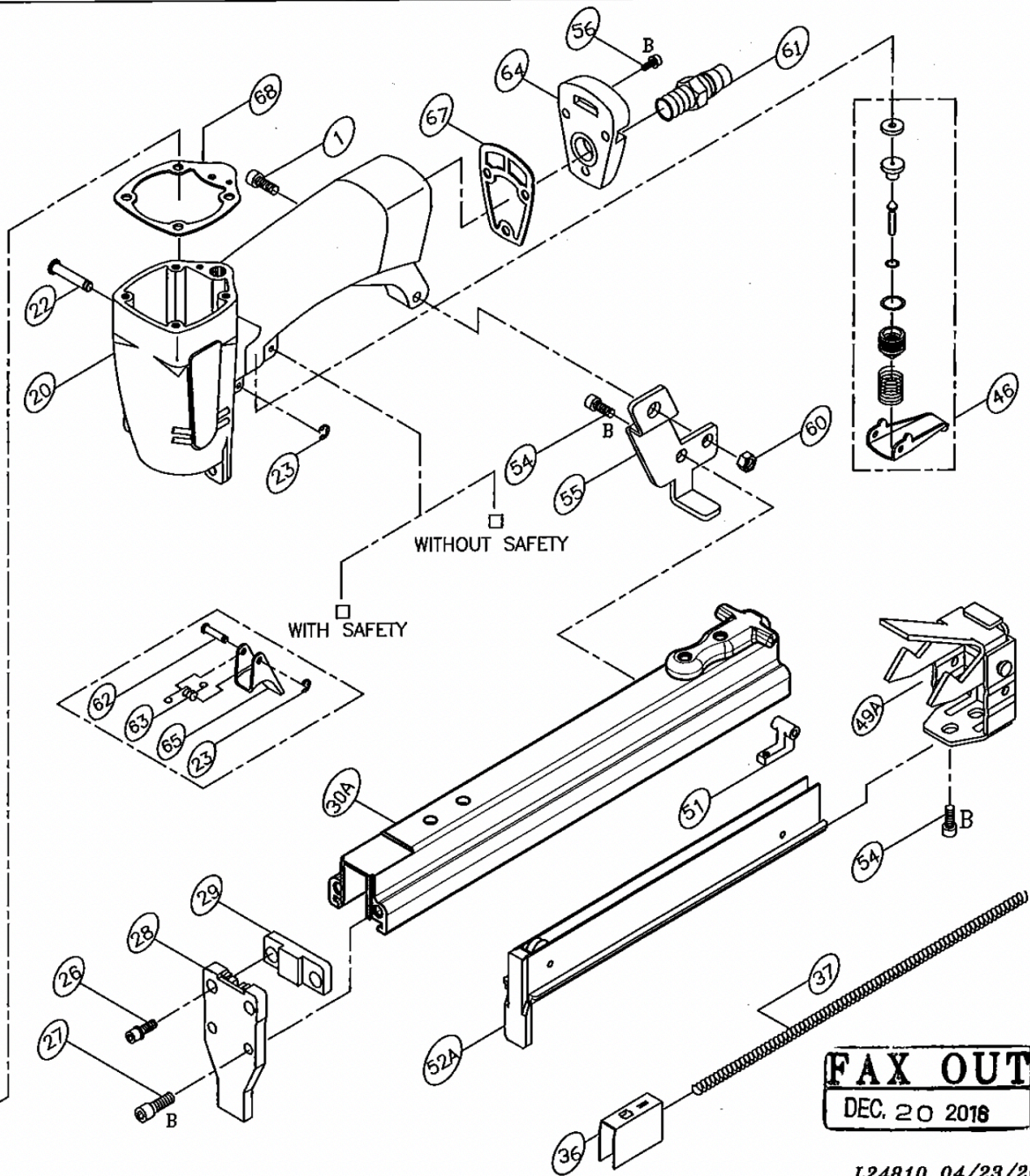


MODEL : LU-1416AC



*B : APPLY LOCTITE 242



WITH SAFETY

WITHOUT SAFETY

FAX OUT
DEC. 20 2016

L24810 04/23/2014

PARTS LIST (LU-1416AC)

ITEM	PART NO	DESCRIPTION	QTY		ITEM	PART NO	DESCRIPTION	QTY
01	HS05080BW-16	HEX. SOC. HD. BOLT+SW	5		56	HS04070BW-16	HEX. SOC. HD. BOLT+SW	3
03	16800301	CAP	1		60	LN0500N	LOCK NUT	1
03-1	SS06100B-04	SET SCREW	1		61	12106401	AIR PLUG	1
03-2	SS04070B-04	SET SCREW	1		62	10206201	STEPPED PIN	1
04	10200501	SEAL	1		63	11009101	TOR. SPRING	1
05	16801301	PISTON STOPPER	1		64	16806401	END CAP	1
05-1	OR11824N	O RING**	1		65	11002801	TRIGGER	1
05-2	OR27025N	O RING**	2		67	16806702	GASKET	1
06	16800501	SPRING**	1		68	16806802	GASKET**	1
07	10200401	SPRING**	1					
08A	10200801A	HEAD VALVE ASM.	1					
11	10201201	COLLAR	1					
13	OR17730N	O RING**	1					
14A	24801402A	DRIVER ASSEMBLY**	1					
15	OR31824N	O RING**	1					
16	OR25020N	O RING	1					
18	16801801	CYLINDER	1					
19	24801901	BUMPER	1					
20	19602002	BODY	1					
22	10202201	STEPPED PIN	1					
23	ER0250R	E RING	2					
26	HS05080BW-18	HEX. SOC. HD. BOLT+SW	2					
27	HS04070B-12	HEX. SOC. HD. BOLT	2					
28	24803601	NOSE	1					
29	10703801	SET PLATE	1					
30A	24805101A	MAGAZINE	1					
36	24804501	PUSHER	1					
37	10404301	SPRING	1					
46	10203001A	TRIGGER VALVE ASSE	1					
49A	10405201A	END CORE ASM.	1					
51	19004801	SET PLATE	1					
52A	24804201A	STAPLE GUIDE UNIT	1					
54	HS04070B-08	HEX. SOC. HD. BOLT	4					
55	10405601	BRACKET	1					