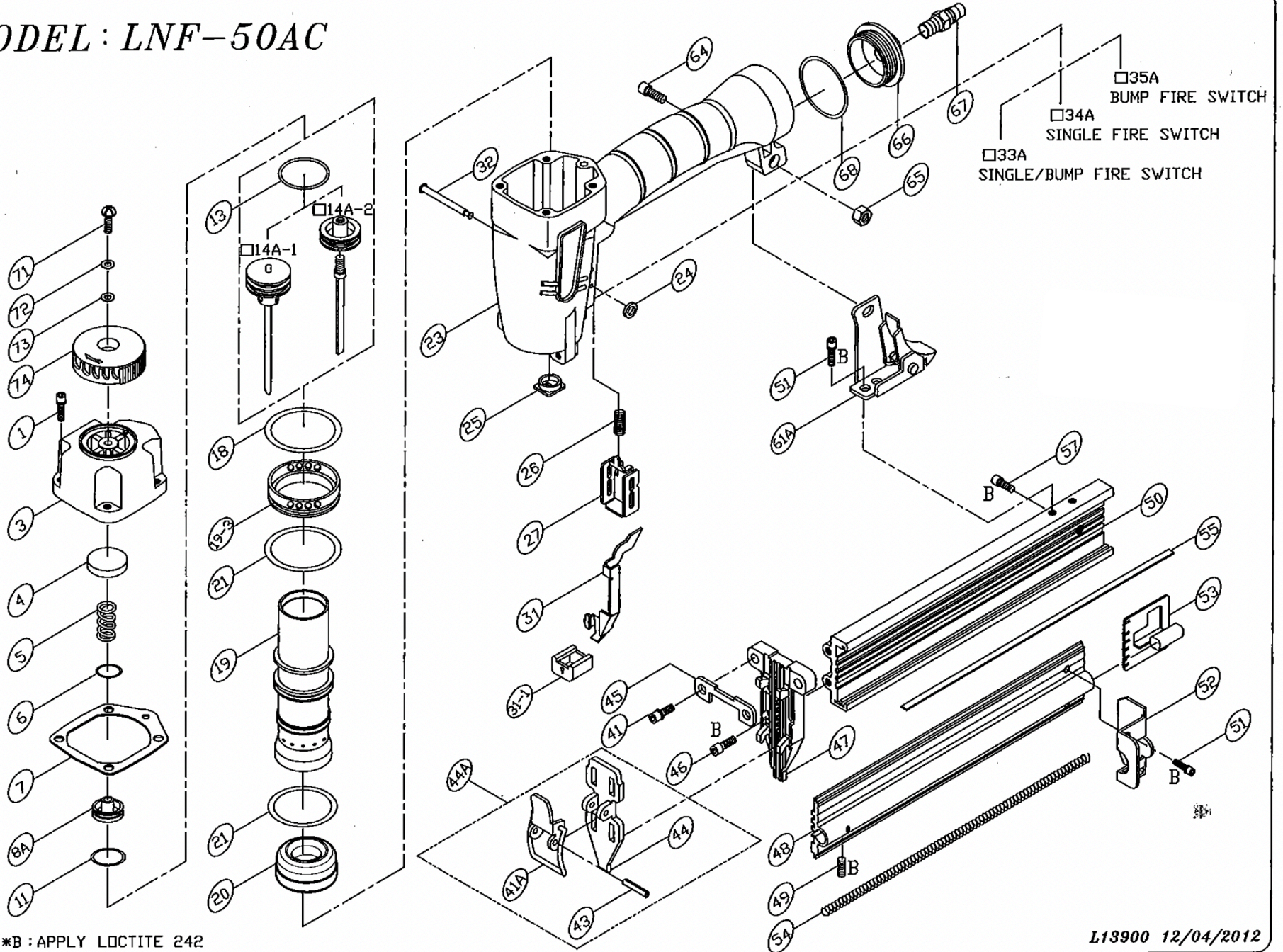


MODEL: LNF-50AC



PARTS LIST (LNF-50AC)

ITEM	PART NO	DESCRIPTION	QTY		ITEM	PART NO	DESCRIPTION	QTY
01	HS05080BW-20	HEX.SOC.HD.BOLT+SW	4		50	13105001	MAGAZINE	1
03	13900306	CAP	1		51	HS04070BW-08	HEX.SOC.HD.BOLT+SW	4
04	12100401	SEAL**	1		52	13105201	TAIL COVER	1
05	12100501	SPRING**	1		53	13105301	PUSHER	1
06	OR13824N	O RING**	1		54	12105401	SPRING**	1
07	11100702	CAP SEAL**	1		55	12105501	NAIL GUIDE LINER	1
08A	13900801A	HEAD VALVE ASM.	1		57	HS05080B-07	HEX.SOC.HD.BOLT	1
11	OR31824N	O RING**	1		61A	13206101A	BRACKET ASSEMBLY	1
13	OR23735N	O RING**	1		64	HS05080B-16	HEX.SOC.HD.BOLT	1
14A-1	13901401A	DRIVER ASSEMBLY**	1		65	LN0500N	LOCK NUT	1
14A-2	13901402A	DRIVER ASSEMBLY**	1		66	11106601	COVER	1
18	OR44431N	O RING**	1		67	12106401	AIR PLUG	1
19	13901902	CYLINDER	1		68	OR40030N	O RING**	1
19-3	13901903	COLLAR	1		71	US05080B-06	UM.HD.BOLT	1
20	13902001	BUMPER**	1		72	FW050120B-10	FLAT WASHER	1
21	OR35020N	O RING**	2		73	12103301	SEAL	1
23	11102309	BODY	1		74	13907403	EXHAUST COVER	1
24	OR01919N	O RING**	2					
25	10902501	JOINT GUIDE	1					
26	11002601	SPRING	1					
27	11002702	GUIDE SAFETY LEVER	1					
31	13203101	SAFETY LEVER	1					
31-1	22903802	RUBBER PAD	1					
32	11103201	STEPPED PIN	2					
41	HS05080BW-25	HEX.SOC.HD.BOLT+SW	2					
41A	13104101A	LATCH**	1					
43	RP3020S	ROLLED PIN	1					
44	13104401	DRIVER GUIDE COVER	1					
44A	13104401A	DRIVER GUIDE COVER	1					
45	12104501	SET PLATE	1					
46	HS04070B-12	HEX.SOC.HD.BOLT	2					
47	13104701	DRIVER GUIDE	1					
48	13104801	MAGAZINE COVER	1					
49	SS04070B-12	SET SCREW	1					