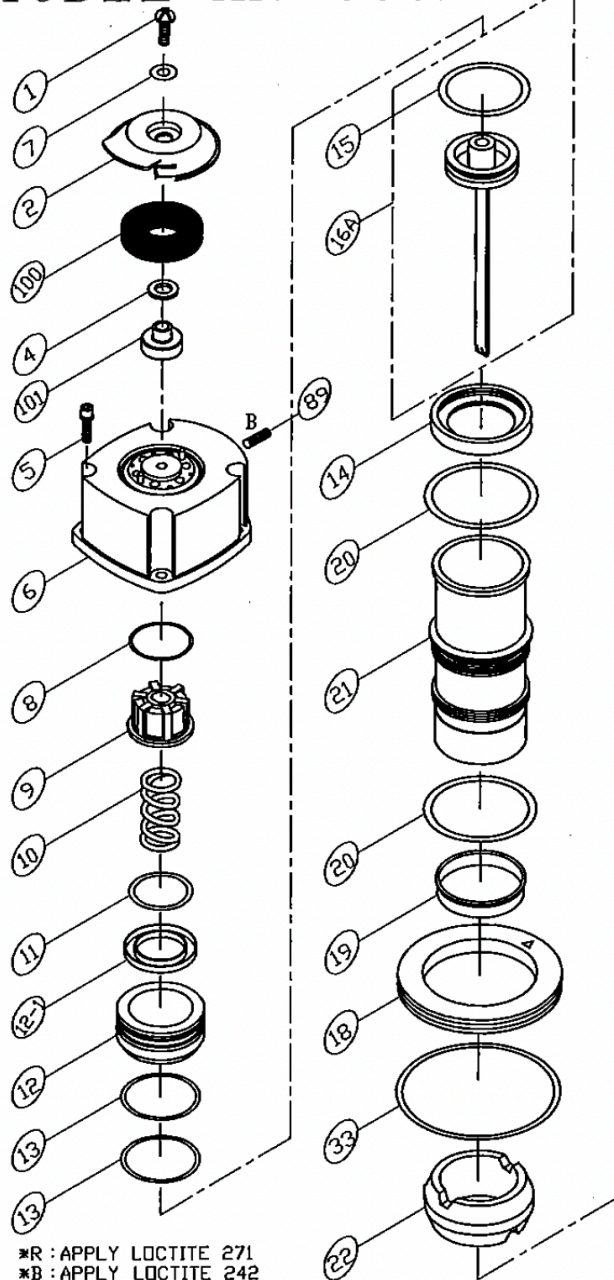
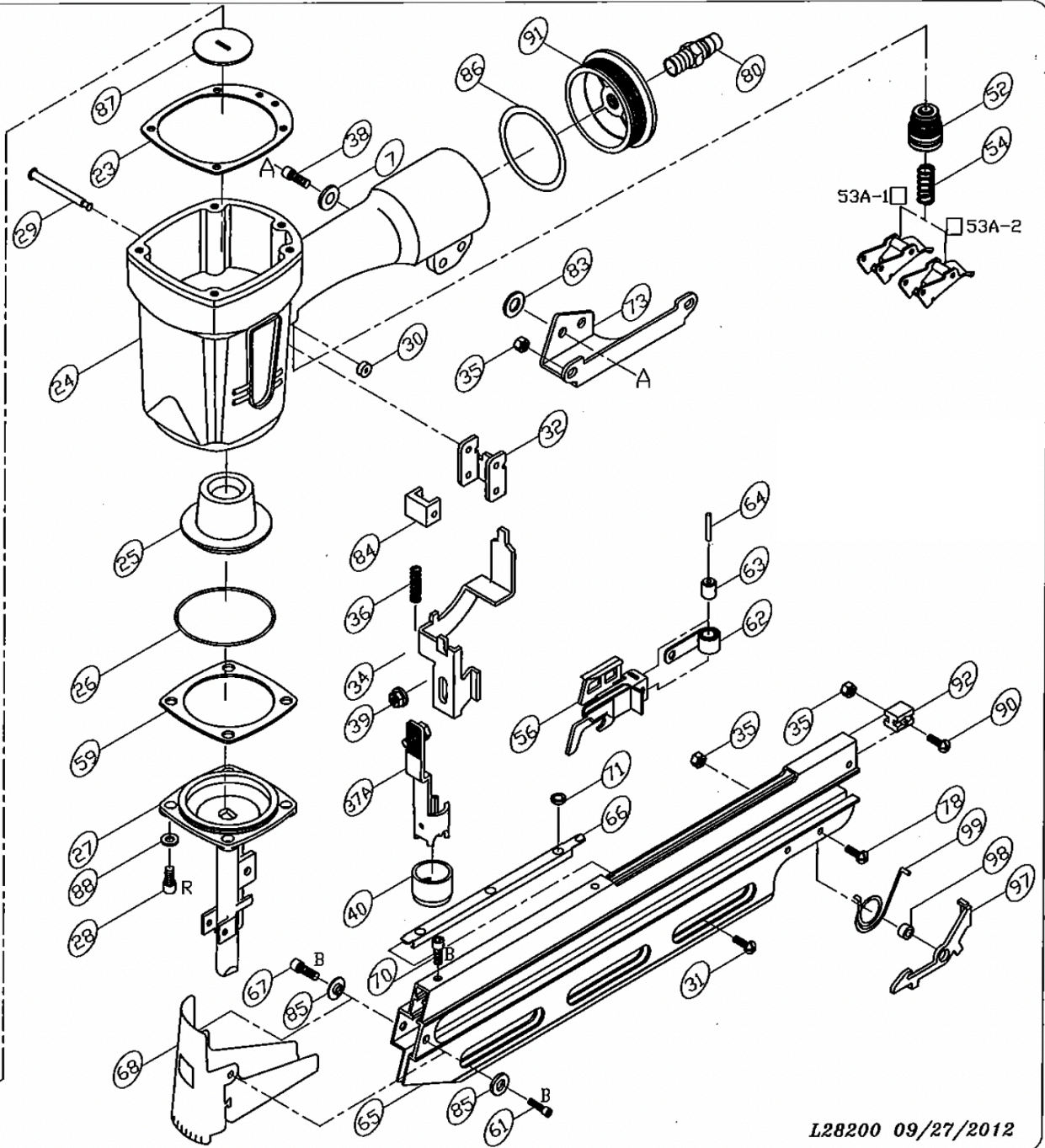


MODEL: AN-10028E



*R: APPLY LOCTITE 271
 *B: APPLY LOCTITE 242



L28200 09/27/2012

PARTS LIST (AN-10028E)

ITEM	PART NO	DESCRIPTION	QTY		ITEM	PART NO	DESCRIPTION	QTY
001	US06100L-20	UM.HD.BOLT	1		036	16203602	SPRING	1
002	15100202	EXHAUST COVER	1		037A	31403701A	SAFETY LEVER	1
004	15108501	PU RING	1		038	HS06100BW-16	HEX.SOC.HD.BOLT+SW	2
005	HS06100LW-30	HEX.SOC.HD.BOLT+SW	4		039	LN0600NB	LOCK NUT	1
006	32600601	CAP	1		040	16104001	RUBBER PAD	1
007	FW060130B-10	FLAT WASHER	3		052	15104401A	SWITCH ASSEMBLY	1
008	16100801	SPACER	1		053A-1	25205301A	SEQUENTIAL FIRE TR	1
009	16100901	PISTON STOPPER**	1		053A-2	25205302A	BUMP FIRE TRIGGER	1
010	15101001	SPRING**	1		054	16305401	SPRING	1
011	OR47326N	O RING	1		056	16205601	PUSHER	1
012	32601201	PISTON HEAD VALVE	1		059	16105901	GASKET**	1
012-1	15100401	SPACER	2		061	HS06100B-12	HEX.SOC.HD.BOLT	1
013	OR60030N	O RING**	2		062	16106201	SPIRAL SPRING**	1
014	32601401	CYLINDER SEAL	1		063	16106301	ROLLER	1
015	OR49735N	O RING**	1		064	BP0424P	BALL PIN	1
016A	28201701A	PISTON ASSEMBLY**	1		065	31406501	MAGAZINE	1
018	25501801	CYLINDER RING	1		066	16206601	NAIL GUIDE LINER	1
019	16101901	CYLINDER RING	1		067	HS06100B-18	HEX.SOC.HD.BOLT	1
020	OR60026N	O RING**	2		068	16106802	DEBRIS SHIELD	1
021	32602101	CYLINDER	1		070	HS03050B-04	HEX.SOC.HD.BOLT	1
022	16102201	BUMPER UPPER**	1		071	16107101	INSERT	2
023	32602302A	CYLINDER CAP SEAL	1		073	26407301	BRACKET	1
024	25502401	BODY	1		078	US05080B-16	UM.HD.BOLT	1
025	23304901	BUMPER"B"	1		080	12106401	AIR PLUG	1
026	OR56718N	O RING**	1		083	GW0800W	GASKET WASHER	2
027	31402701	NOSE	1		084	28203301	SAFETY GUIDE	1
028	HS08125B-28	HEX.SOC.HD.BOLT	4		085	16108501	SPACER	2
029	16102902	STEPPED PIN	3		086	OR54431N	O RING**	1
030	16103001	PU RING**	3		087	16208701	WASHER	1
031	US05080B-12	UM.HD.BOLT	2		088	SW0800W	SPRING WASHER	4
032	25203201	GUIDE SAFETY LEVER	1		089	SS06100B-06	SET SCREW	1
033	OR84431N	O RING**	1		091	23302501	END CAP	1
034	28203401	UPPER SAFETY LEVER	1		092	16109201	MAGAZINE BLOCK	1
035	LN0500NB	LOCK NUT	5		094	US05080B-20	UM.HD.BOLT	1