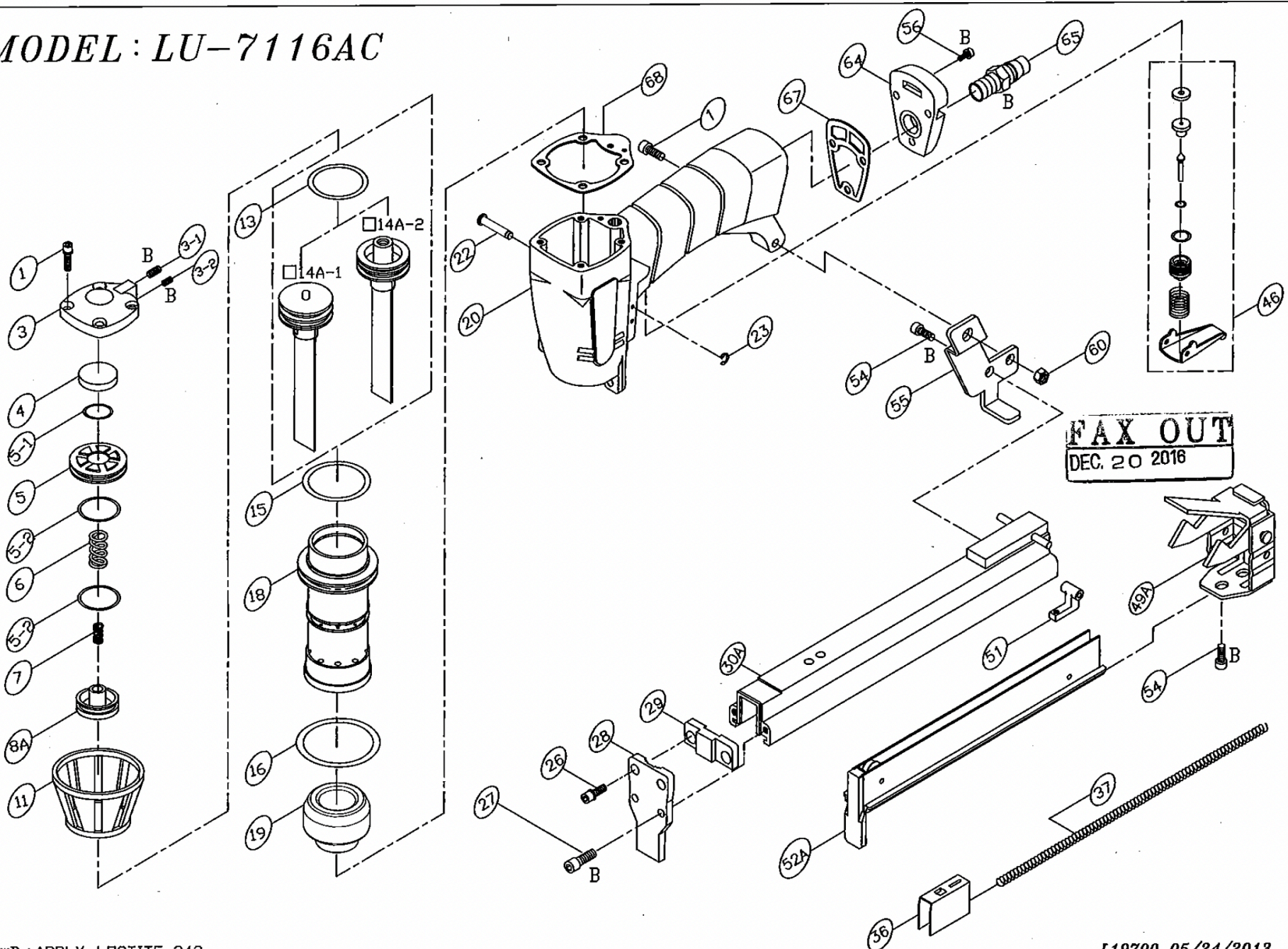


MODEL: LU-7116AC



FAX OUT
DEC. 20 2016

*B : APPLY LOCTITE 242

L19700 05/24/2013

PARTS LIST (LU-7116AC)

ITEM	PART NO	DESCRIPTION	QTY		ITEM	PART NO	DESCRIPTION	QTY
01	HS05080BW-16	HEX.SOC.HD.BOLT+SW	5		55	10405601	BRACKET	1
03	16800301	CAP	1		56	HS04070BW-16	HEX.SOC.HD.BOLT+SW	3
03-1	SS06100B-04	SET SCREW	1		60	LN0500N	LOCK NUT	1
03-2	SS04070B-04	SET SCREW	1		64	16806401	END CAP	1
04	10200501	SEAL	1		65	12106401	AIR PLUG	1
05	16801301	PISTON STOPPER	1		67	16806702	GASKET	1
05-1	OR11824N	O RING**	1		68	16806802	GASKET**	1
05-2	OR27025N	O RING**	2					
06	16800501	SPRING**	1					
07	10200401	SPRING**	1					
08A	10200801A	HEAD VALVE ASM.	1					
11	10201201	COLLAR	1					
13	OR17730N	O RING**	1					
14A-1	18900801A	DRIVER ASSEMBLY**	1					
14A-2	18900803A	DRIVER ASSEMBLY**	1					
15	OR31824N	O RING**	1					
16	OR25020N	O RING	1					
18	16801801	CYLINDER	1					
19	19501901	BUMPER	1					
20	19602002	BODY	1					
22	10202201	STEPPED PIN	1					
23	ER0250R	E RING	1					
26	HS05080BW-18	HEX.SOC.HD.BOLT+SW	2					
27	HS04070B-12	HEX.SOC.HD.BOLT	2					
28	18903601	NOSE	1					
29	10703801	SET PLATE	1					
30A	19703801A	MAGAZINE	1					
36	10604802	PUSHER	1					
37	10404301	SPRING	1					
46	10203001A	TRIGGER VALVE ASSE	1					
49A	10405201A	END CORE ASM.	1					
51	19004801	SET PLATE	1					
52A	18904201A	STAPLE GUIDE UNIT	1					
54	HS04070B-08	HEX.SOC.HD.BOLT	4					